

TESTING TERMINAL BOX

ZS 4

The testing terminal box ZS 4 (four-wire conduit) is designed for electrical devices where there is a need for changing or checking of a working measuring instrument (during switching off of an electrometer connected to secondary circuits while measuring current and voltage transformers) and where it is necessary to keep to the terms of uninterrupted secondary circuits of measuring current transformers.

Description

The new testing terminal box supplements the previous model ZS1b. It will be supplied separately or with the inclusion of a terminal board (which can be sealed). The testing terminal box ZS 4 has a special design – every trio of current terminals can be reciprocally connected by fastening screws S to the bridge M. The terminal box could be fastened in two ways: to lock it on a DIN 35 mm bar or fasten it by 4 M4 crews.

The voltage supplies are connected through a voltage terminal or through fuse block. (They are not included). There is an enough space for these terminals under the terminal cover.

The terminal board complies with relevant clauses of standards EN 60947-1 and EN 60947-7-1.

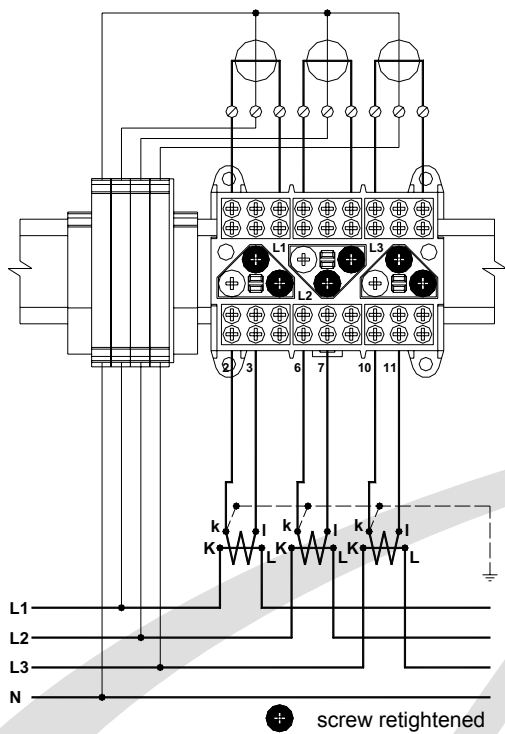
Usage

While connecting an electrometer, secondary circuits of measuring current transformers with the same polarity are conductively connected by fastened screws through current bridges. First of all, electrometer outlets are fastened to a terminal board with screws. Then the measuring current transformer secondary circuits are disconnected by screws loosening. After that that voltage circuits are connected. When you want to disconnect an electrometer, proceed vice versa.

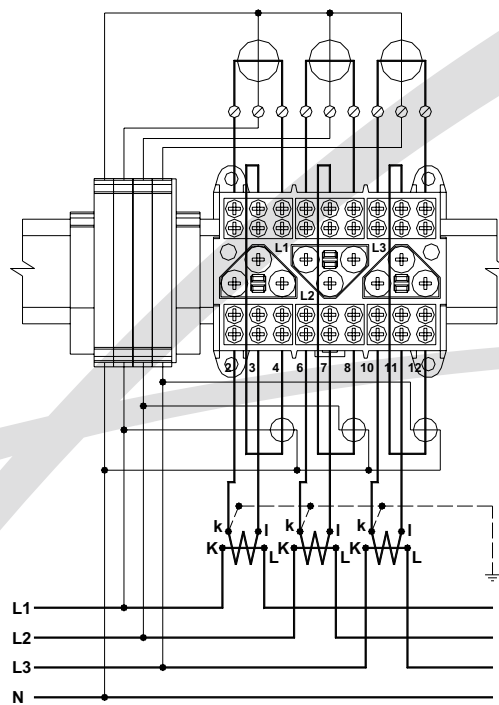
Technical parameters

Max. rated voltage	230/400V, 50-60Hz
Max. rated current	16A
Test voltage	2000 V ef
Size of terminal board	79x71x35 mm
Size of cover	154x118x50,5 mm
Terminal diameter	4 mm
Max. conductor cross-section cable	6 mm ²
Max. conductor cross-section strand	6 mm ²
Fixing screw of terminals	2x M3 x 10 mm



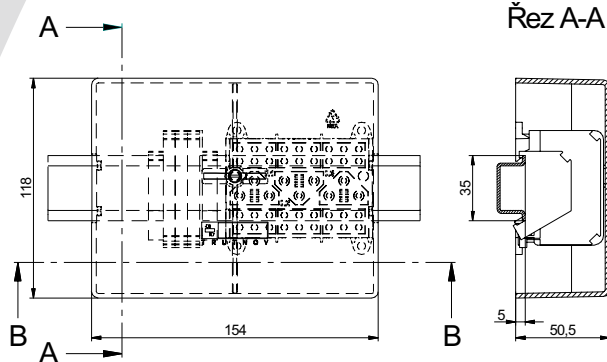
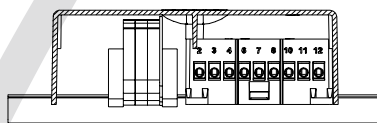


Connection of terminal board ZS 4 with connected electricity meter

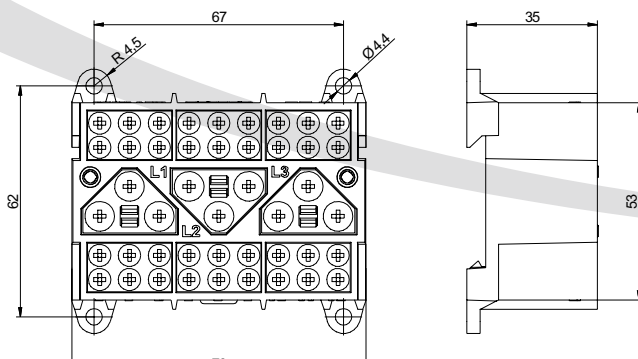


Connection of terminal board ZS 4 with connected electricity meter and control measuring devices

Řez B-B



Řez A-A



In view of continuous improvement, supplied products may differ in some details.